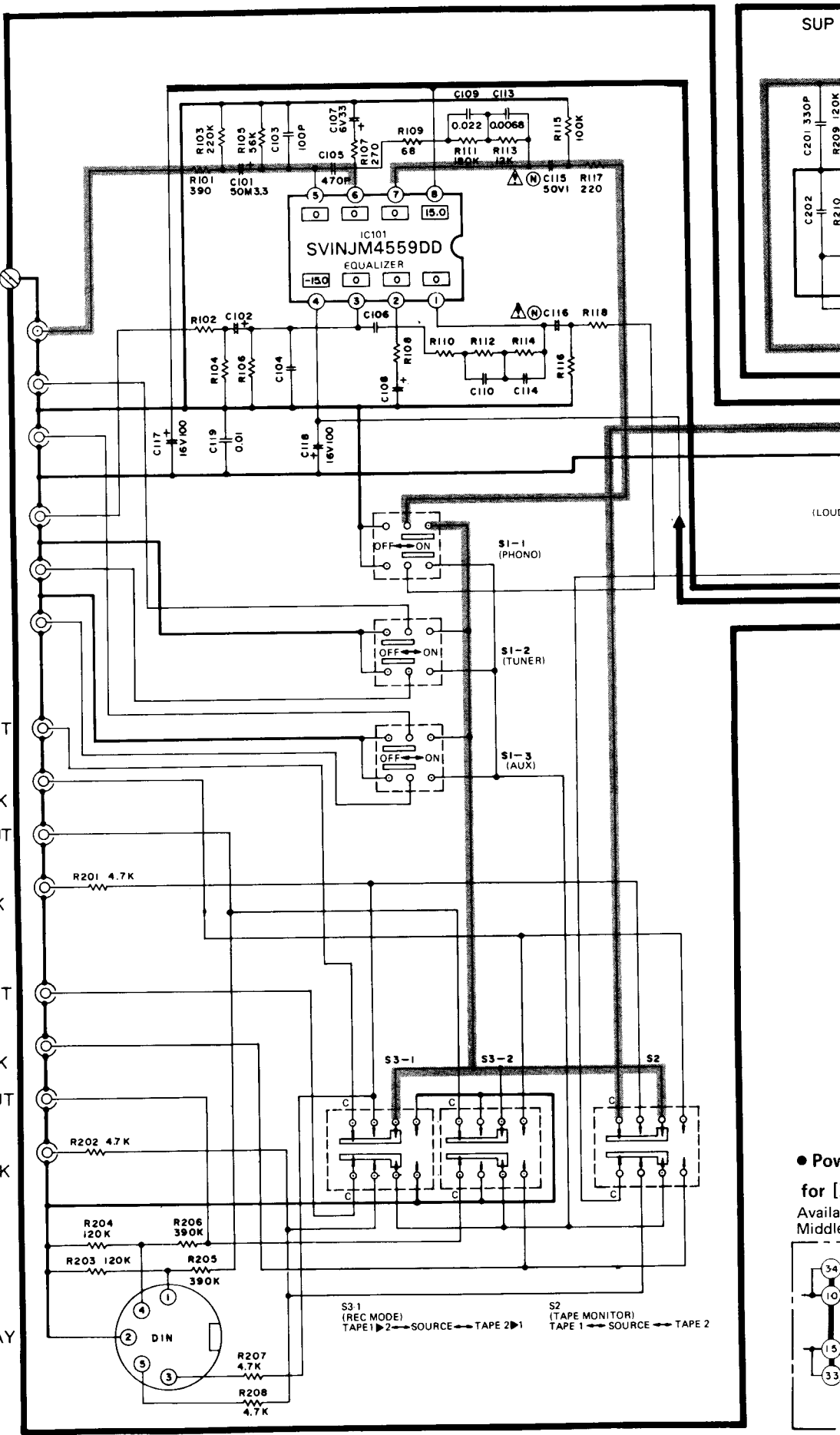


A
B
C
D
E
F



SUP

(Lch)

(Rch)

(Lch)

(Rch)

REC OUT TAPE 2

REC OUT TAPE 1

REC OUT TAPE 2

REC OUT TAPE 1

REC/PLAY

DIN

S1-1 (PHONO)

S1-2 (TUNER)

S1-3 (AUX)

S3-1

S3-2

S2

S3-1 (REC MODE)

S3-2 (TAPE MONITOR)

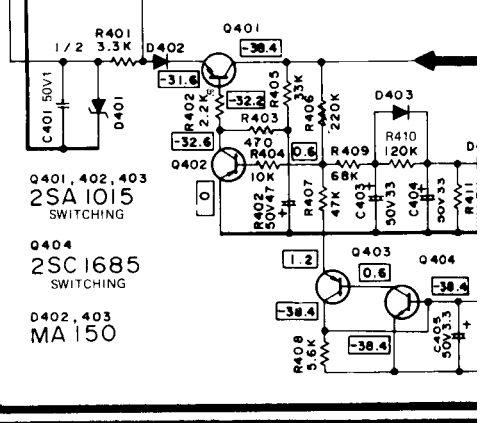
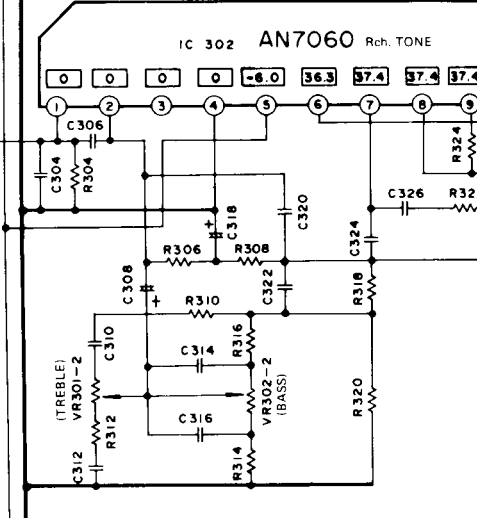
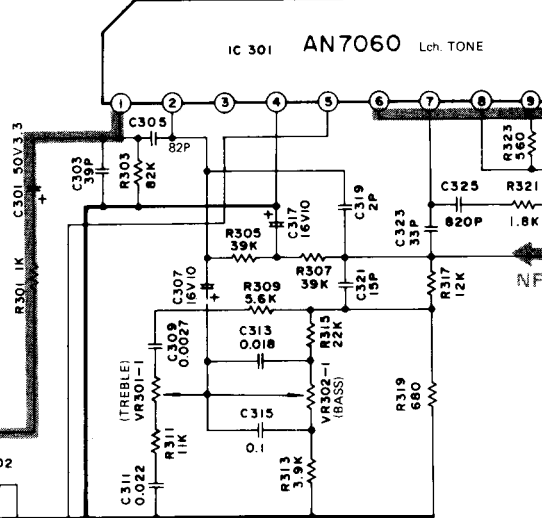
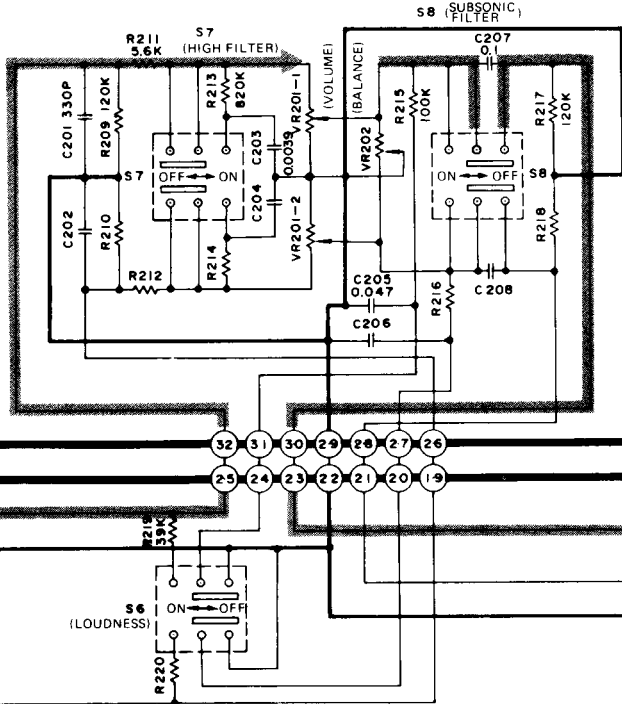
S2 (TAPE MONITOR)

POV for [Available Middle

9

SUP 18970B

SUP 18970A



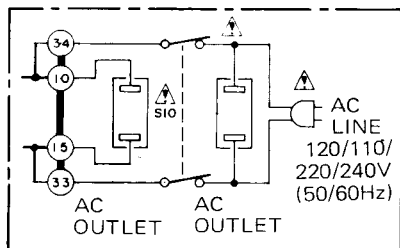
Notes:

- S1-1 ~ S1-3: Input selector switch in "phono" position. (phono ↔ tuner ↔ aux)
- S2: Tape monitor switch in "source" position. (tape 1 ↔ source ↔ tape 2)
- S3-1, S3-2: Recording mode switch in "source" position. (tape 1 ▶ 2 ↔ source ↔ tape 2 ▶ 1)
- S4: Remote speaker switch in "off" position.
- S5: Main speaker switch in "on" position.
- S6: Loudness switch in "off" position.
- S7: High filter switch in "off" position.
- S8: Subsonic filter switch in "off" position.
- S9: Voltage adjust switch in "240V" position. 240V ↔ 220V ↔ 110V ↔ 120V
- S10: Power source switch in "on" position.
- Indicated voltage values are the standard values for the unit measured by the DC electronic circuit tester (high-impedance) with the chassis taken as standard. Therefore, there may exist some errors in the voltage values, depending on the internal impedance of the DC circuit tester.
- ➡ Signal lines of left channel
⊕ Positive (⊕) voltage lines
- ⚠ indicates that only parts specified by the manufacturer be used for safety.

• Power source circuit for [XA] and [XAL]

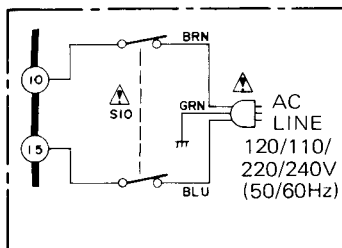
for [XA]

Available in Asia, Latin America, Middle East and Africa.



for [XAL]

Available in Australia.



D401 MA1062

D404, 405 SVDSRIK2

D406, 407 MA1150

Negativ

Q301, 302
2SA1123
PRE DRIVE

Q301, 302
20A90

D303, 304
2-0A99

